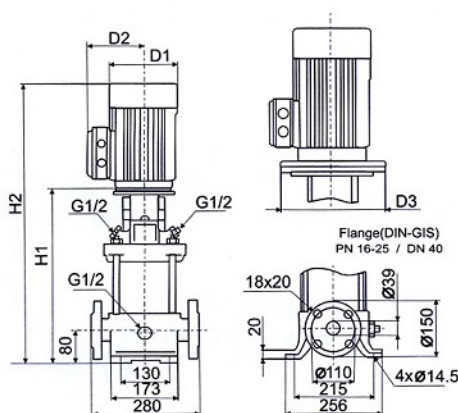


## Vertical Multistage Centrifugal in - line Pump

### Dimensions and weights - PCR 10



### General Specification

Output size:	25 to 125 mm
Capacity:	0.7-180 m <sup>3</sup> /hr
Head:	275 m
Operation Temperature:	-15 to +120
Main Connection (1-[v/Hz]):	220-240 V, 50 Hz
Main Connection (3-[v/Hz]):	380-415 V, 50 Hz
Insulation Class:	F
Enclosure Class:	IP 55
Ambient Temperature:	50°C

Pump type	Motor		Pump Flanges (mm)	PCR					Net weight (kg)
	P [kW]	rpm		Dimension(mm)					
				DIN flange H1	H2	D1	D2	D3	DIN flange
PCR 10-1	0.37	2900	40	343	538	141	115	-	35.9
PCR 10-2	0.75			347	582	141	115	-	38.2
PCR 10-3	1.1			377	612	141	115	-	40.3
PCR 10-4	1.5			423	714	177	141	-	50.1
PCR 10-5	2.2			453	744	177	141	-	53.9
PCR 10-6	2.2			483	774	177	141	-	55.0
PCR 10-7	3			518	834	197	147	-	63.8
PCR 10-8	3			548	864	197	147	-	64.9
PCR 10-9	3			578	894	197	147	-	65.9
PCR 10-10	4			608	934	220	161	-	70.3
PCR 10-12	4			668	994	220	161	-	72.4
PCR 10-14	5.5			760	1122	235	197	300	104.1
PCR 10-16	5.5			820	1182	235	197	300	106.2
PCR 10-18	7.5			880	1278	235	197	300	113.6
PCR 10-20	7.5			940	1338	235	197	300	116.7
PCR 10-22	7.5			1000	1398	235	197	300	118.8